

## Technical Specification

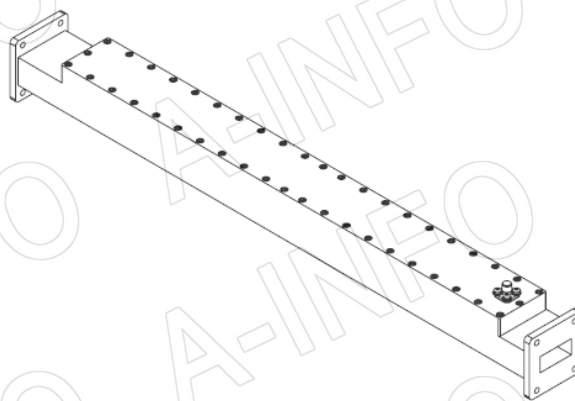


EIA WR	WR112
Frequency Range(GHz)	7.05 - 10.0
Coupling(dB)	10
Coupling Accuracy(dB)	±1.0 Max.
Freq. Sensitivity(dB)	±0.7 Max.
Directivity(dB)	30 Min.
Insertion Loss(dB)	0.2 Max. (Not including the theoretical loss 0.46dB)
Mainline VSWR	1.05:1 Max.
Secondline VSWR	1.25:1 Max.
Flange	FBP84(UBR84)
Coupling Port	SMA-Female / SMA-Male
Material	Al
Size(mm)	472.9 x 47.8 x 58.6
Net Weight(Kg)	1.07 Around

## Outline Drawing (Size: mm)

Coupling Port: SMA-Female

For SMA-Male connector Coupling Port outline drawing, please contact A-INFO.



AINFO Inc.

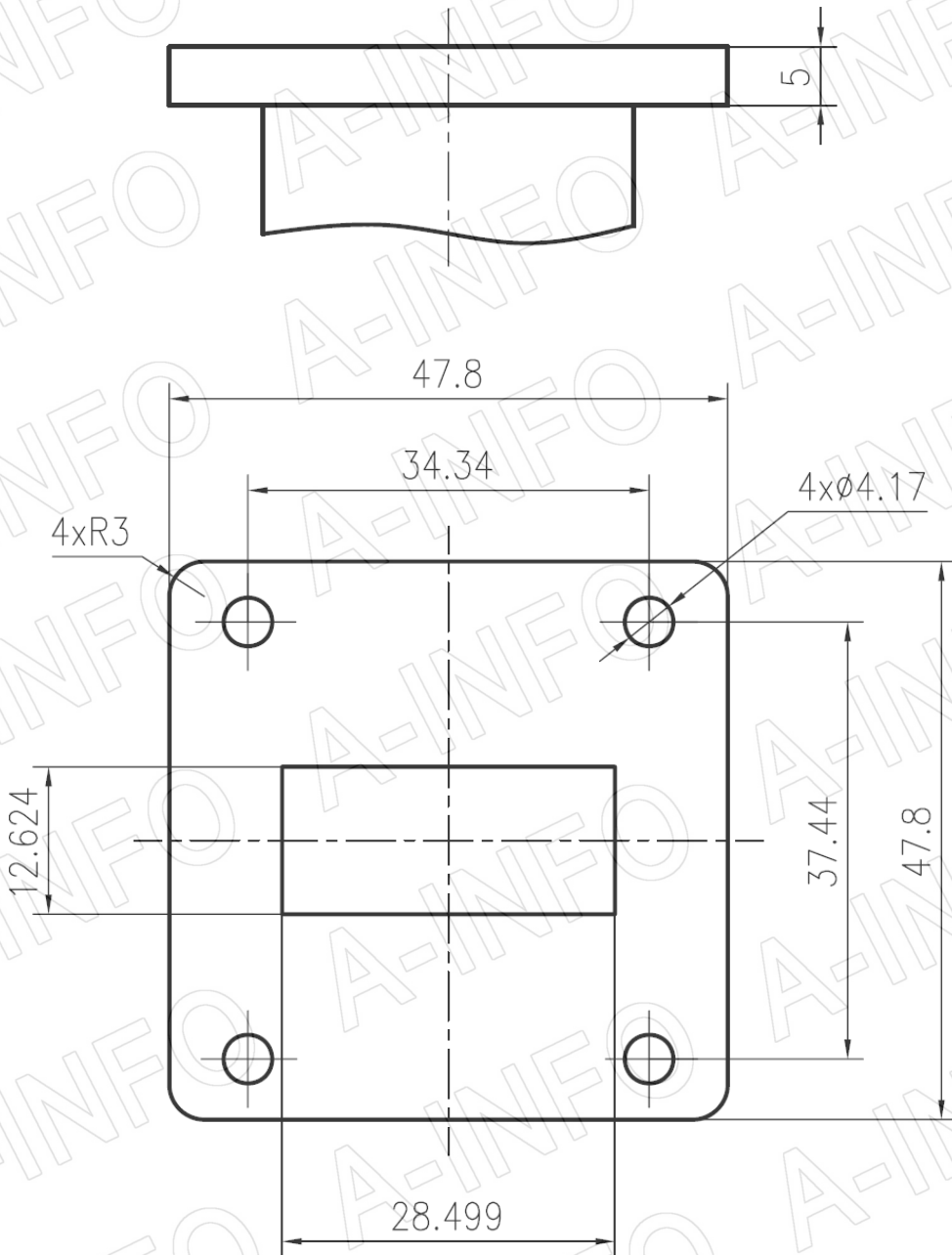
Page 1 of 5

China(Beijing): Tel: (+86) 10-6266-7326,  
China(Chengdu): Tel: (+86) 28-8519-2786,  
USA: Tel: (+1) 949-639-9688,

(+86) 10-6266-7327 Fax: (+86) 10-6266-7379  
(+86) 28-8519-3044 Fax: (+86) 28-8519-3068  
(+1) 949-639-9608 Fax: (+1) 949-639-9670

Website: www.ainfoinc.com  
Email: sales@ainfoinc.com

## Flange Drawing (Size: mm)



## FBP84

AINFO Inc.

Page 2 of 5

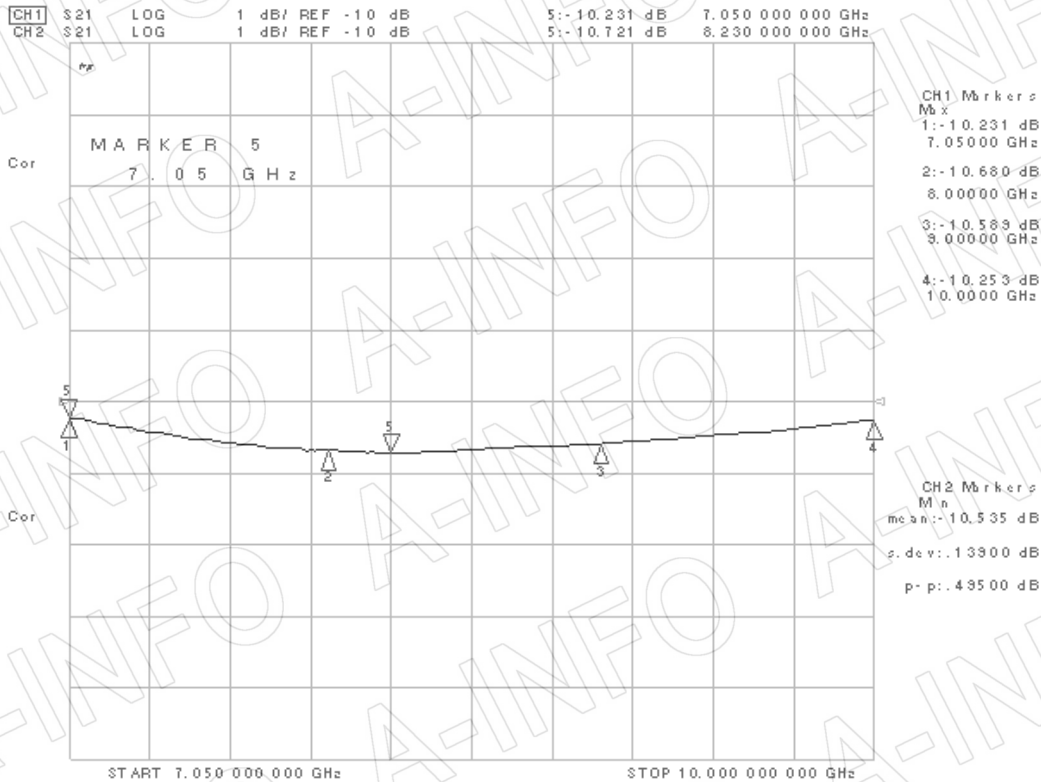
China(Beijing): Tel: (+86) 10-6266-7326,  
 China(Chengdu): Tel: (+86) 28-8519-2786,  
 USA: Tel: (+1) 949-639-9688,

(+86) 10-6266-7327 Fax: (+86) 10-6266-7379  
 (+86) 28-8519-3044 Fax: (+86) 28-8519-3068  
 (+1) 949-639-9608 Fax: (+1) 949-639-9670

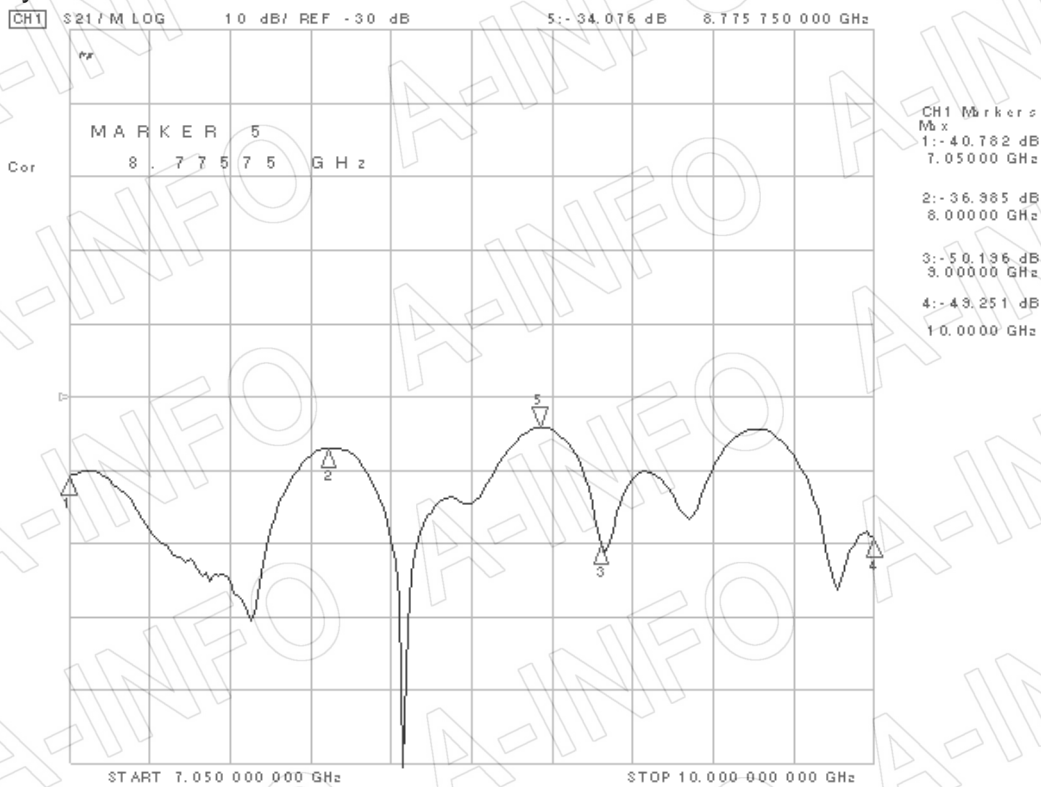
Website: [www.ainfoinc.com](http://www.ainfoinc.com)  
 Email: [sales@ainfoinc.com](mailto:sales@ainfoinc.com)

## Test Results

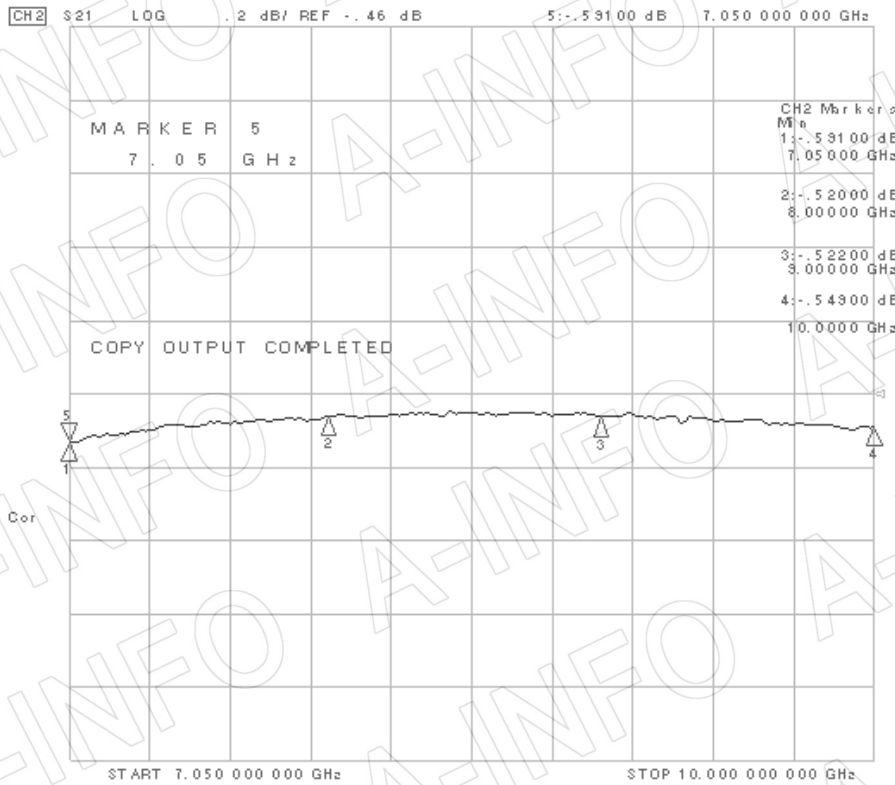
### Coupling



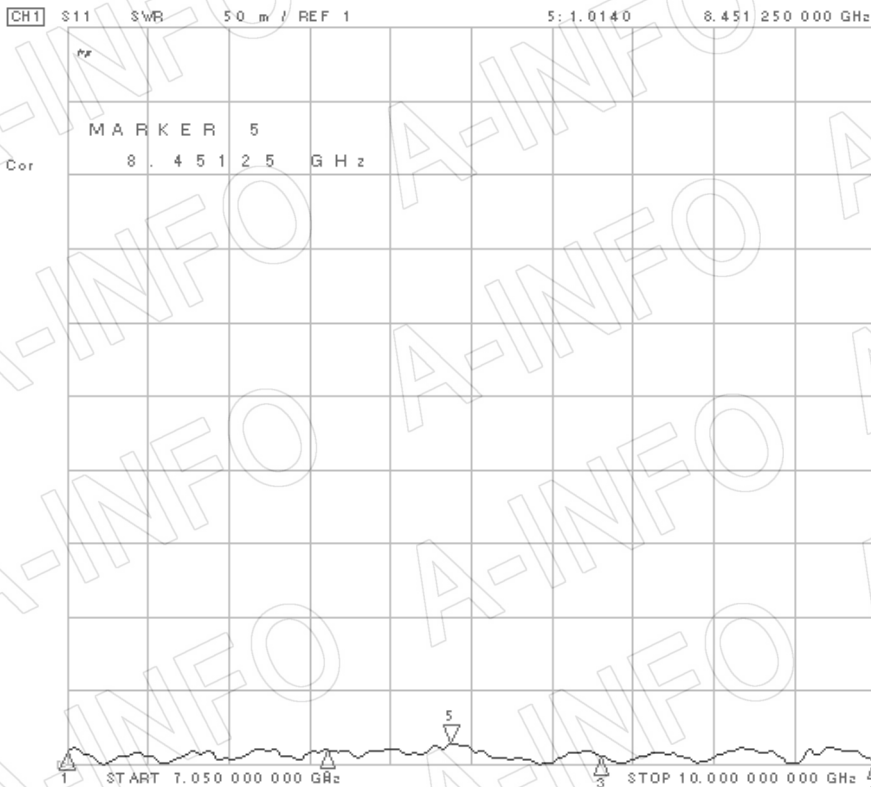
### Directivity



I.L. (Including the theoretical loss 0.46dB)



Mainline VSWR



AINFO Inc.

Page 4 of 5

China(Beijing): Tel: (+86) 10-6266-7326, (+86) 10-6266-7327 Fax: (+86) 10-6266-7379  
 China(Chengdu): Tel: (+86) 28-8519-2786, (+86) 28-8519-3044 Fax: (+86) 28-8519-3068  
 USA: Tel: (+1) 949-639-9688, (+1) 949-639-9608 Fax: (+1) 949-639-9670

Website: [www.ainfoinc.com](http://www.ainfoinc.com)  
 Email: [sales@ainfoinc.com](mailto:sales@ainfoinc.com)



## Secondline VSWR

CH1 S11 SWR 250 m / REF 1 5: 1.1748 7.050 000 000 GHz

